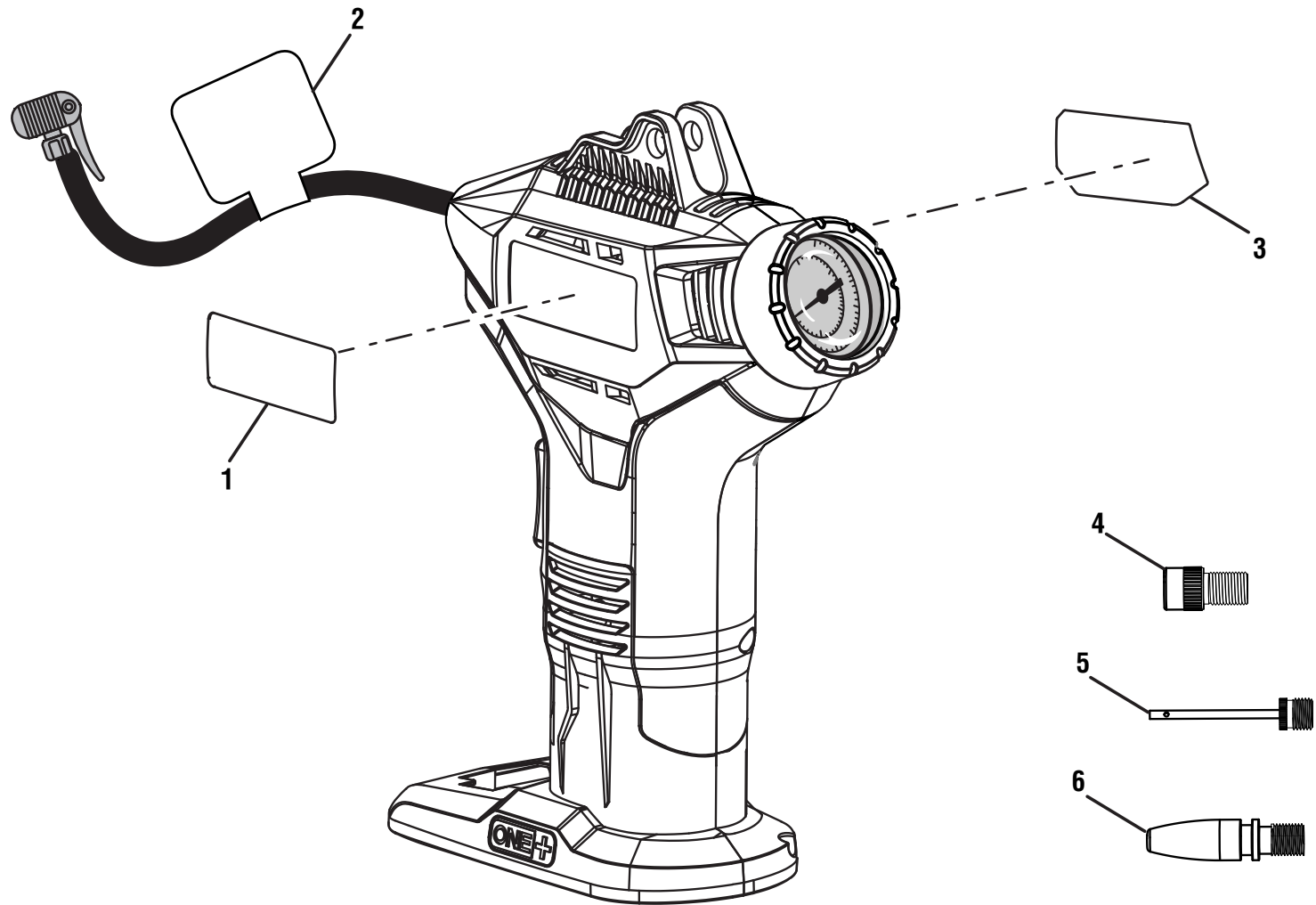


RYOBI
18 VOLT PISTOL GRIP INFLATOR
MODEL NUMBER P737
REPAIR SHEET

RYOBI 18 VOLT PISTOL GRIP INFLATOR – MODEL NUMBER P737



RYOBI 18 VOLT PISTOL GRIP INFLATOR – MODEL NUMBER P737

The model number will be found on a label attached to the motor housing. Always mention the model number in all correspondence regarding your **18 VOLT PISTON GRIP INFLATOR** or when ordering parts.

PARTS LIST

KEY NO.	PART NUMBER	DESCRIPTION	QTY
1	079077053901	Logo Label.....	1
2	079077053906	Hose Wrap Label	1
3	079077053902	Data Label.....	1
4	079042004036	Presta Valve Adapter	1
5	079042001029	Ball Needle.....	1
6	079042004035	Tapered Adapter	1
Not Shown:			
	991000623	Operator's Manual	
	7-28-15		
	(Rev:01)		

